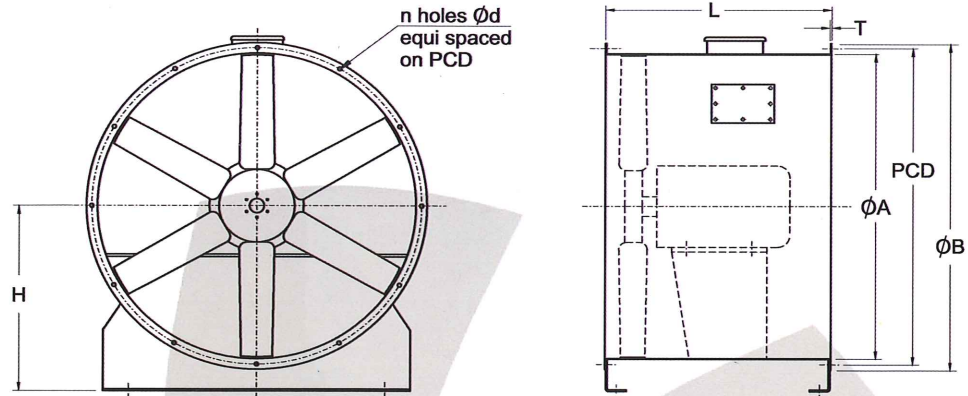


INLINE AXIAL FANS MUA SERIES

TECHNICAL DATA & DIMENSIONS

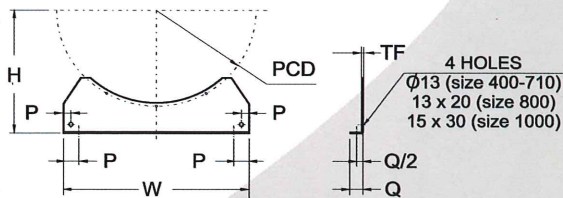


Size	Rpm	Motor kW		Motor Amps		Avg. dBA @ 3 m
		Min	Max	Min	Max	
400	1400	0.18	0.37	0.55	1.00	50
	960	0.37	0.37	1.10	1.10	41
500	1400	0.37	1.10	1.00	2.50	55
	960	0.37	0.37	1.10	1.10	46
560	1400	0.55	2.20	1.40	4.50	62
	960	0.37	0.55	1.10	1.70	53
630	1400	0.75	3.00	1.90	5.90	64
	960	0.37	1.10	1.10	2.70	55
710	1400	1.10	4.00	2.50	7.90	68
	960	0.37	1.50	1.10	3.70	59
800	1400	1.50	7.50	3.30	13.70	70
	960	0.55	2.20	1.70	5.10	61
	720	0.55	3.00	2.00	6.70	59
1000	1400	4.00	7.50	7.90	13.70	75
	960	1.10	5.50	2.70	11.00	66
	720	0.55	3.00	2.00	6.70	50

Size	Motor Frame	ØA	ØB	PCD	L	H	n	Ød	T	Approx. Kg Case	Max. Kg Fan
400	63 - 71	400	463	438	400	308	12	12	2.5	18	45
	80 - 90										
500	71 - 90	503	564	541	400	352	12	12	2.5	22	50
	600				32					75	
560	71 - 90	560	644	605	400	370	16	14	2.5	25	55
	600				35					85	
630	71 - 90	635	721	674	400	425	16	14	2.5	28	60
	600				38					90	
710	80 - 90	716	802	765	400	472	16	14	2.5	32	70
	600				44					100	
800	80 - 90	807	893	865	400	517	16	14	2.5	44	85
	600				50					110	
	800				82					175	
	132				82					175	
1000	80 - 90	1004	1114	1070	400	603	16	14	3	56	100
	600				78					170	
	800				90					300	
	160				90					300	

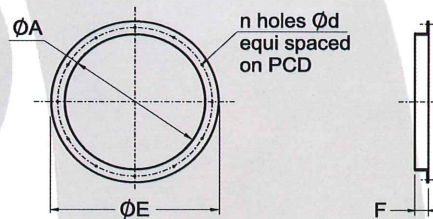
ACCESSORIES

MOUNTING FEET



Size	W	H	PCD	P	Q	TF
400	400	308	438	50	40	3
500	500	352	541	50	40	3
560	560	370	605	50	40	3
630	630	425	674	50	40	3
710	710	472	765	50	40	3
800	800	517	865	50	50	3
1000	1000	603	1070	75	75	5

FLANGES



Size	ØA	ØE	PCD	n	Ød	Mat.
400	400	464	438	12	12	32 x 32 x 3
500	503	567	541	12	12	32 x 32 x 3
560	560	640	605	16	14	40 x 40 x 3
630	635	715	674	16	14	40 x 40 x 3
710	716	796	765	16	14	40 x 40 x 3
800	807	907	865	16	14	50 x 50 x 5
1000	1006	1106	1070	16	14	50 x 50 x 5



CFM FANS FAN MANUFACTURERS

56 Tarnard Drive, Braeside, Victoria 3195 Australia Tel: (03) 9580 7790 Fax: (03) 9580 7796 Email: mail@cfmfans.com.au Web: www.cfmfans.com.au
 CFM reserve the right to change design without any notice or obligation. Please refer to your local CFM representatives for technical and installation details.